



V6000 Advanced FM Audio Transmitter

USER'S GUIDE

V6000 Features:

- **Transmit any audio format** to all FM radios within range.
- **Create your own personal commercial-free radio station** within your home, office or car.
- **Works with PC/MAC computer:** Transmit any audio format from your desktop or notebook computer. No drivers needed.
- **Listen to audio from your computer speakers and transmit audio at the same time** using included port splitter cable adapter.
- **Works with virtually any device:** iPod, MP3 player, CD player, PDA, DVD player, Notebook/Desktop PC/MAC, satellite receiver, TV, etc.
- **Broadcast any audio format:** MP3, MP4, WMA, WAV, AAC, internet streaming audio, internet radio, CD audio, DVD audio, etc.
- **PLL Synthesized:** Digitally tuned for extra stable transmission, no frequency drifting. No retuning necessary.
- **LCD display:** Indicates - transmit frequency, power setting, display memory status.
- **User adjustable frequency range:** User adjustable - 200 frequency range from 88 to 108MHz.
- **Versatile 4-way power feature:** PC/MAC USB, (2) AAA batteries*, 12/24V car power, 100-240V A/C power. All cables and power accessories are included.
- **User adjustable transmit range/power up to 450 feet:** Two-button user adjustable from 0 to 200mW. Transmit range is up to 450 feet (up to 150 meters).
- **Interchangeable External antenna.** Use supplied telescoping antenna or attach your other type(s) of antennas for optimal performance.
- **Microphone input option:** Plug in standard 3.5mm stereo plug microphone to transmit voice or voice over audio. **(USE STEREO MICROPHONE ONLY)**
- **Memory function:** Allowing user to save frequency and power setting. Four memory buttons are included allowing four different display settings to be saved.
- **Removable unit stand:** Unit can be easily converted from desktop to portable uses.

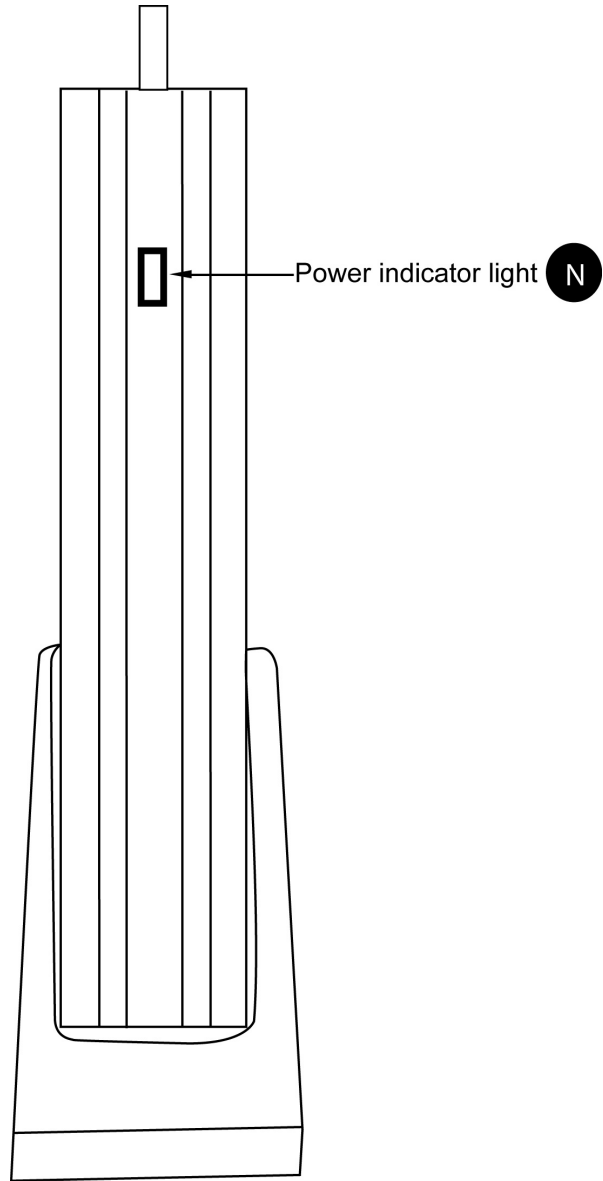
Please follow your local regulations as to the allowable transmit range for an FM transmitter. If you are not sure about the applicable laws and regulations in your particular country then you should set the transmit power to 5mW.

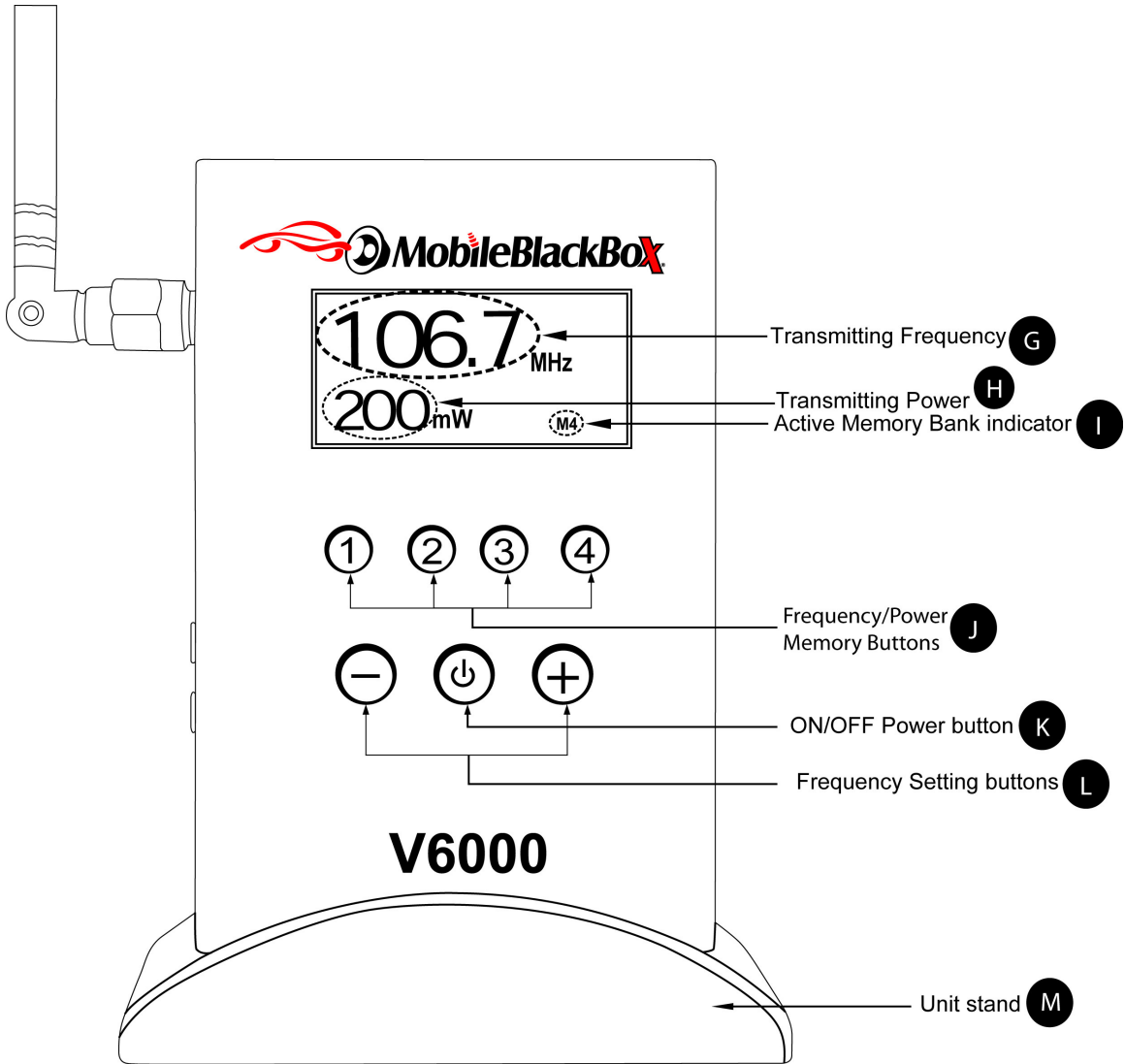
Technical Specifications:

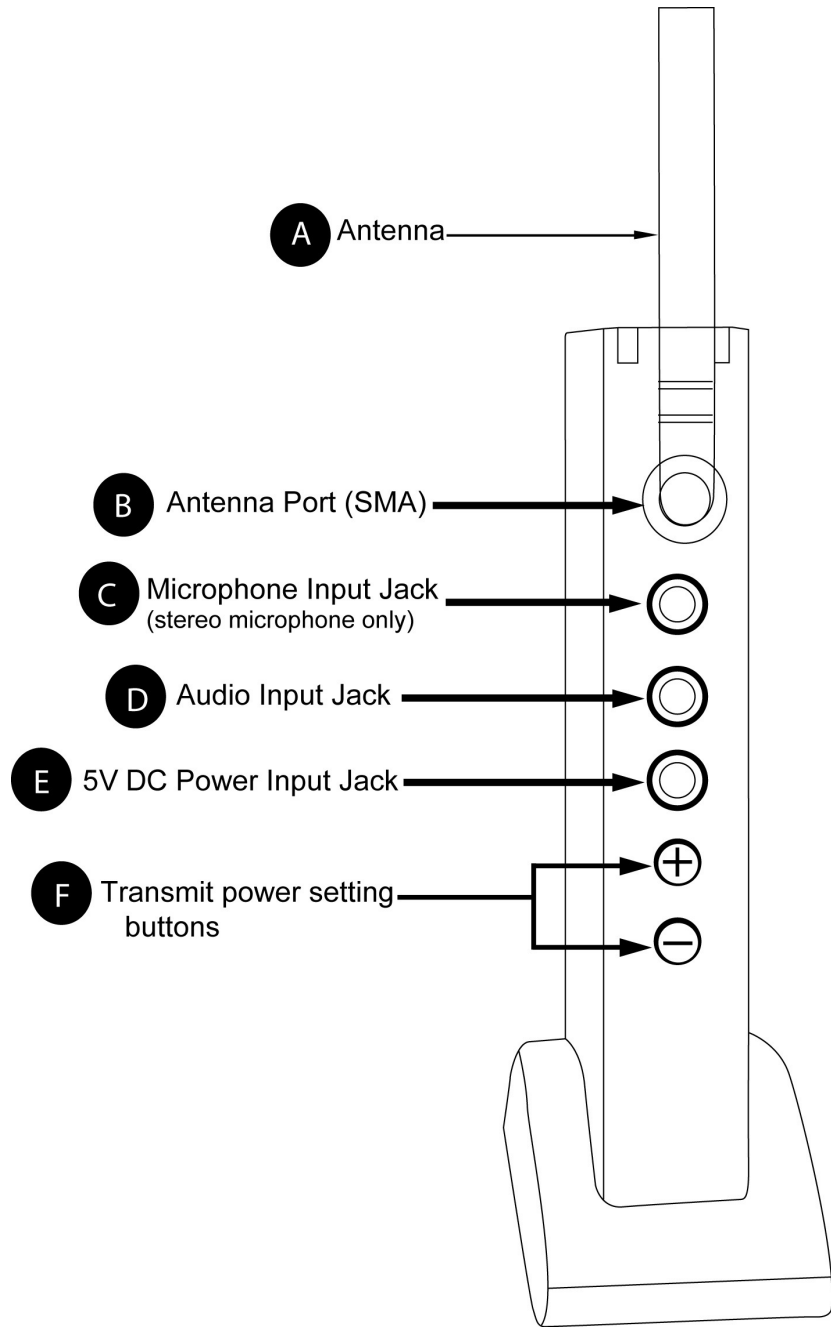
- Dimensions: 63mm (W) X 93mm (H) X 16mm (D)
- Weight: 100g
- Frequencies: 88-108 MHz (200 frequencies)
- Power requirement: 5V
- Operating current: 1 to 200 mW
- Frequency response: 20HZ - 20KHZ
- Operating range: up to 150 meters (492 feet)
- S/N ratio: 70dB
- Input signal: Stereo
- Output signal: Mono
- Operating temperature: 32 ~ 113 degrees Fahrenheit.
- Power source: 100-240V A/C (or) (2) AAA batteries (or) USB (or) 12-24 Car power
- Audio performance: (% of distortion) (less than 0.3%)
- Frequency stability: +/-100kHz
- Output impedance: 75 ohms
- Harmonic rejection: <30dB
- Spurious rejection: <23dB
- Audio processing limiter, Pre-emphasis: (50uS)
- Output antenna connector: SMA

Box Contents:

- **Mobile Black Box V6000 FM transmitter**
- **(5ft.) USB power cable**
- **(5 ft.) 3.5mm audio cable**
- **(8 in.) 3.5mm audio splitter cable**
- **Car power adapter 12-24V**
- **AC power adapter 100-240V**
- **Telescoping antenna**
- **Unit stand**
- **Instruction manual**





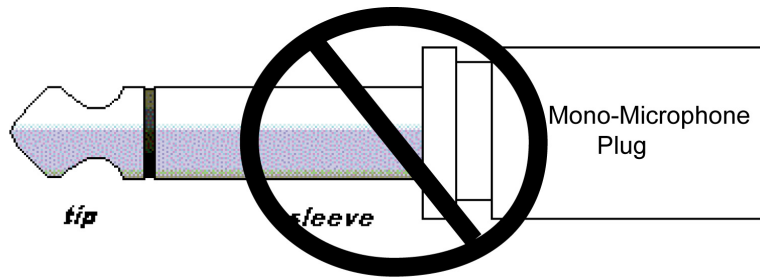


Six Common Rules For All Users:

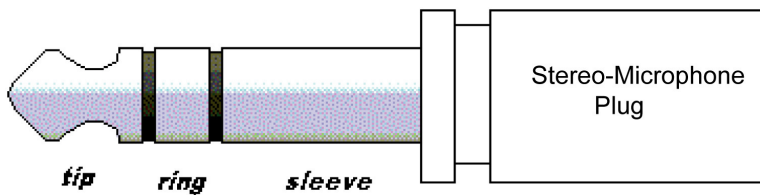
1. The AC adapter supplied is designed for dry indoor use only. DO NOT use the AC adapter outdoors or in wet conditions.
2. Make sure the supplied antenna is connected at all times when transmitter unit is powered ON. This will prevent damage to your unit.
3. For best results try to find an open (unused) frequency to transmit on. Do not transmit on occupied commercial radio station frequency; for legal and ethical reasons.
4. Always follow your local regulations regarding the proper use of an FM transmitter. If you are not aware of local regulations that may apply to you; you should therefore set transmit power to no more than 5mW.
5. Only use power adapters supplied with your unit. Using other types of power adapters may produce background noise with your transmitted audio and/or could damage your unit.
6. When transmitting from a microphone; only use a stereo plug microphone, using any other type of microphone such as a mono plug microphone will permanently damage your unit, see "Operating Instructions - step #4"

Operating Instructions:

1. **Connect antenna **A** to antenna port **B**.** (*DO NOT operate transmitter without antenna connected, damage may occur to the unit.*)
2. **Connect power source** to DC power input jack **E**, using the supplied USB/DC power cord. Unit may be powered via supplied AC adapter *or* car adapter *or* USB port (PC/MAC) *or* two AAA batteries.
3. **Connect audio source** using supplied 3.5mm audio cable. Connect one end to Audio input jack **D**. Connect the other end of the cable to audio output jack (or headphone jack) of the source device *ie.* MP3 player, iPod, PC, MAC, PDA, DVD player, etc.
4. **Optional – transmitting from a microphone:** You may transmit audio from a microphone by connecting a stereo plug-type microphone to the microphone input jack **C**.
(DO NOT USE A MONO PLUG-TYPE MICROPHONE, DOING SO WILL CAUSE PERMANENT DAMAGE TO YOUR V6000 UNIT) see illustration below....



DO NOT USE MONO MICROPHONE



ONLY USE STEREO MICROPHONE

5. **Power unit ON** using by pressing down ON/OFF power button **K**. LCD will come ON and side blue power indicator light **N** will light-up. (Please note: After 1 minute of no button activity the LCD backlight will turn OFF to save power, it will turn ON again if any button is pressed. The power indicator light **N** will remain ON at all times while unit is in operation.
6. **Set transmitting frequency** using the frequency setting buttons **L**. (*Helpful hint: You should pre-scan your local FM frequencies using an FM radio to find an unused frequency and set the V6000 transmitter to this frequency*). *Helpful hint: You may find optimal or unused FM frequencies to transmit on by visiting radio-locator.com*
7. **Set transmitting power** using the transmitting power setting buttons **F**. Power may be set from 1mW to 200mW. The power setting controls signal strength which will help increase transmit range*. **Please follow your local regulations as to the allowable transmit range, if you are not sure about the applicable regulations you should set the transmit power to 5mW.**
8. **Set volume level on the audio source device.** Optimal audio level varies for each type of device and recorded audio volume. Generally you should set audio level at about 50-60% and slowly increase to optimum level, if audio is set too high it will cause distortion in the receiving radio.
9. **Setting volume level (PC/Mac).** When using the V6000 FM transmitter with a PC or Mac computer the volume level will need to be optimized at **all three** different sources: (1) computer sound card, (2) Media player software and (3) FM receiver radio. Set audio level at about 50% and slowly increase to optimum level, if audio is set too high it will cause distortion in the receiving radio. Audio should also be increased at the FM radio receiver to optimum level.
10. **Set volume level on FM radio (receiver):** When the source audio level is optimized (step #8 or #9) you should be able to have full audio level range with the FM receiver radio without any distortion. If you audio sound is distorted you should lower the volume level at the source device, *step #8 or step #9*

11. **Saving preferred frequency and power setting into memory.** The V6000 allows the user to save up to four separate frequency/power settings, one (frequency/power setting) per each memory bank number **J**.

To store settings into memory:

- Step 1.** Choose a memory bank number you wish to save settings to **J**, the memory bank indicator number **I** (M#) should light-up in the LCD display.
- Step 2.** Now set your preferred frequency **L** and power setting **F**.
- Step 3.** Press and hold for three seconds the same memory bank number you chose in step 1.
- Step 4.** Your done!! Your preferred frequency and power setting have now been saved to your chosen memory bank. To change the settings for a particular memory bank repeat steps 1-3 again.

Troubleshooting:

1. **Transmitting volume is too low:** Make sure to increase volume level of audio source device to at least 50% level. When using transmitter with PC or Mac computer the volume will need to be set at three different levels, *see step #8 and #9 in operating instructions section.*
2. **Transmit range is too low:** The transmit range will vary as per your environment, antenna type, power setting, frequency setting. Placing the transmitter(or antenna) on the highest altitude inside or outside of a building with the least amount of obstacles will give you the optimum range.
3. **LCD is dim when using battery power:** Makes sure you are using new or fully charged batteries; alkaline or lithium batteries are recommended.
4. **When using transmitter with satellite receiver, TV or DVD player audio is distorted:** These types of audio/video devices generally do not have volume control capabilities. When connecting to these devices we recommend the optional RCA/3.5mm converter cable with volume controller available at MobileBlackBox.com.

Internet Support: support@mobileblackbox.com

Website: MobileBlackBox.com

* Transmit range will vary based on environment, frequency, antenna type, power setting. Batteries not included.
End user is responsible for proper use and to comply with local regulations.

© 2007, 2008 MobileBlackBox.com – Comptechnic, Inc.